

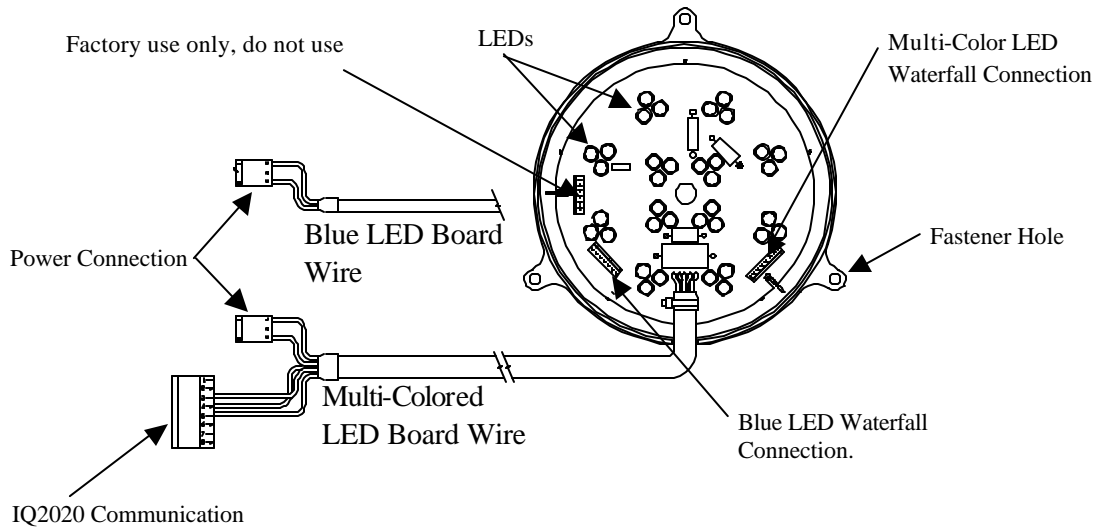
Multi-Colored LED Spa Light Installation Instructions

Kit Includes:

- 1 – Multi-colored LED Spa Light Assembly
- 4 – Fasteners
- 1 – LED Light Assembly Replacement Instructions

Tools Required:

- Phillips-head Screwdriver
- Pliers



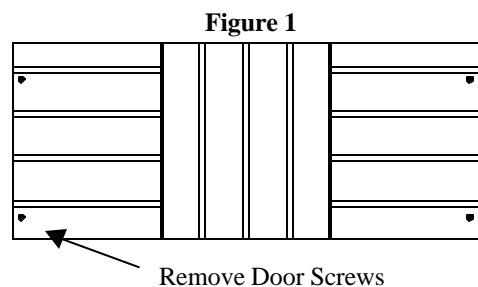
NOTE: These instructions are for illustration purposes only. The actual appearance of the components may vary depending on spa model and LED option.

NOTE: Luminescence Multicolored LED Light Kit is compatible with all HSS and TR spa models 3D1001 – Current

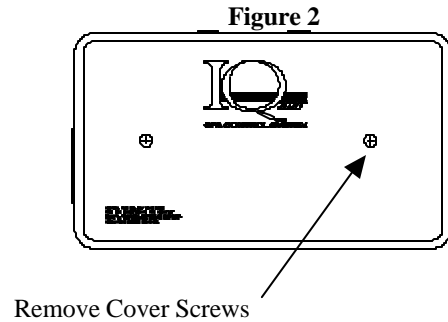
Step 1. Removal of old LED Assembly

1. Disconnect the spa from the power supply by the appropriate method:
 - 115V Models: Disconnect the cord from the house receptacle.
 - 230V Models: Trip both of the GFCI Breakers located in the subpanel.

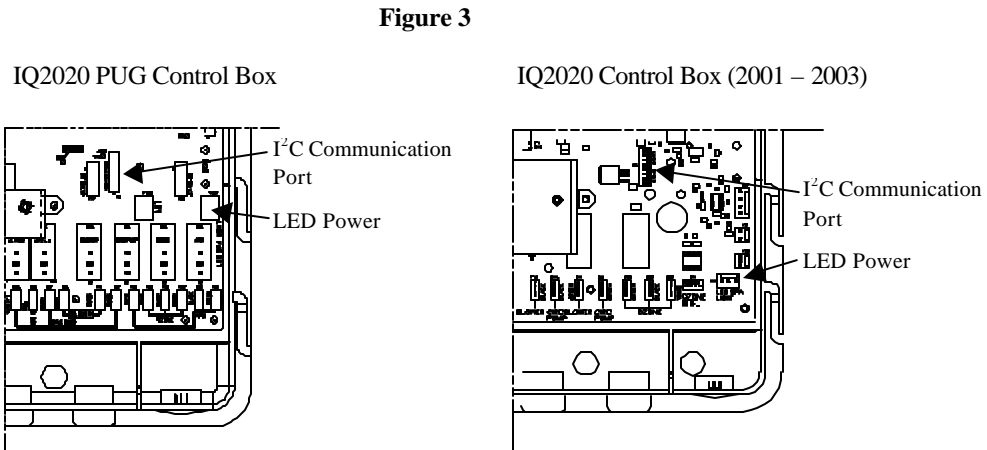
2. Using a Phillips-head screwdriver, remove Equipment Compartment Door (Figure 1).



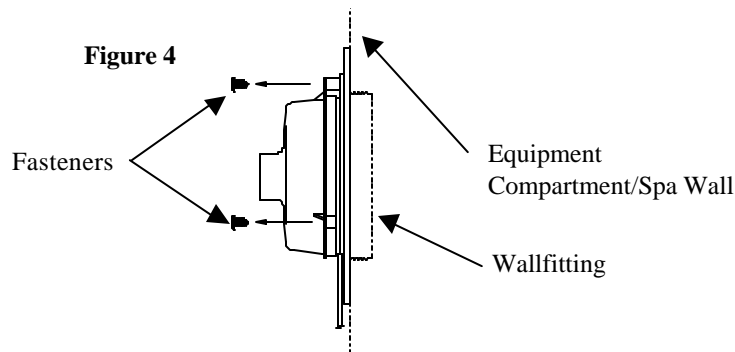
- Using a Phillips-head screwdriver, remove IQ2020 Control Box cover (Figure 2).



- Unplug LED Light Connector and remove Cord from side channel of IQ2020 Control Box (Figure 3).
NOTE: For 2004 spa models with the waterfall feature, disconnect the waterfall LED from the ports shown in the spa LED light illustration on page 1. Make sure the Waterfall LED is connected to the proper port.



- Remove Fasteners from LED Light Assembly using pliers (Figure 4)



- Remove the LED Light Assembly from the Wallfitting.

Step 2. Install new LED Assembly

1. Route LED wire through wire closest side channel of the control box.
2. Install new LED Light Assembly onto the wallfitting with the Cord down.
3. Secure LED Light Assembly with Fasteners.

Step 3. Install new LED Assembly to Control Box

1. Plug the LED power into the 'LED SPA LIGHT' receptacle. The LED power **MUST** be connected **BEFORE** the LED data cable is connected. (Figure 3)

WARNING: Reversing the order may cause permanent damage to the LED light board and the Control Box.

Power and Data connectors are keyed. Ensure proper orientation before connecting.

2. Ensure that the LED power is properly connected. Plug the LED Data Cable into the 'Communication Port' (Figure 3).

NOTE: If Spa has the Waterfall Feature then Waterfall lights to connect to the ports shown on page 1 and test waterfall light.

3. Install Control Box cover and Equipment Compartment Door.
4. Connect the spa to the power supply by the appropriate method:
 - 115V Models: Connect the cord to the house receptacle.
 - 230V Models: Reset both of the GFCI Breakers located in the subpanel.