

LIGHT HARNESS CONVERSION INSTRUCTIONS

Because the light harness comes with the Molex Plug attached, it must be replaced with two female quick-disconnect terminals before it can be installed in the control box that is equipped with flag terminal connectors rather than Molex receptacles.

Kit Contents

- 1 Light Harness (12 VAC) with Molex Plug connector
- 2 Female Quick-Disconnect Terminals

Tools Required

Wire Cutter

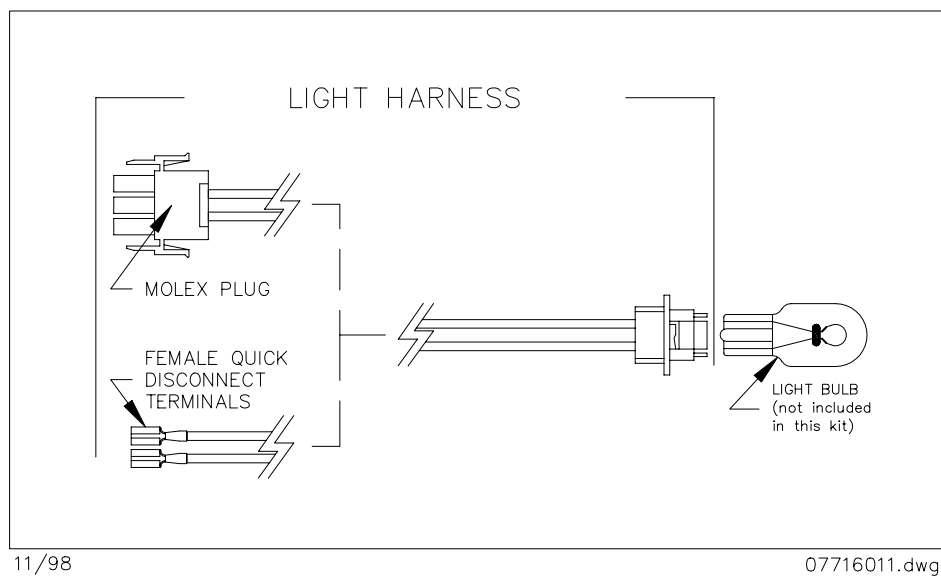
Crimping Tool or Pliers

Refer to the following instructions to convert the light harness from Molex to quick-disconnect.

1. To detach the Molex plug from the light harness, cut the wires as close to the plug as possible.
2. Strip approximately $\frac{1}{4}$ " of the wire insulation off of the wires.

Perform steps 3 and 4 on each of the two light harness wires.

3. Insert one of the bare wires into the collar of one female quick-disconnect terminal.
4. Crimp the collar to the wire to secure the terminal. **Be sure that collar is crimped on the bare wire, and on a portion of the insulated wire.** Gently tug on the wire to verify that it is secured to the quick-disconnect terminal.



5. The light harness is now ready for installation into the control box.