

Clarion®

External LED Light Kit Installation Instructions

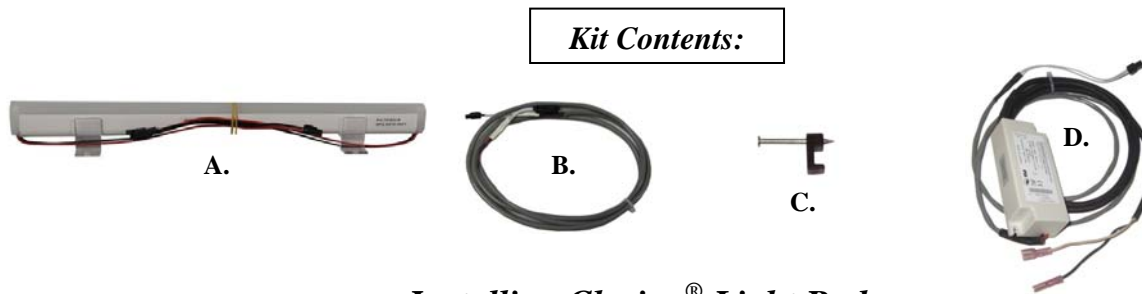
This instruction outlines the procedure for installing Clarion Light bars.

Tools Required:

- | | |
|---------------------------|----------------|
| Phillips Screwdriver | Hammer |
| Tin Snips or Wire Cutters | Pencil |
| Gloves | Safety Glasses |

Kit Contents: (see Illustration below)			
A.	3 Light Bars	C.	25 Wire holders with nails
B1.	3 - 96" Wire Harness	D.	Power Supply
B2.	2 - 48" Wire Harness	*	Misc. Screws and cable ties
B3.	2 - 12" Wire Harness	*	1 Grommet

* Non-illustrated components.



Installing Clarion® Light Rods

Exterior Lighting Recommendations:

It is recommended to locate the light rods below the skirt of the spa against the black kick plate as well as on the bottom side of the steps ledge.

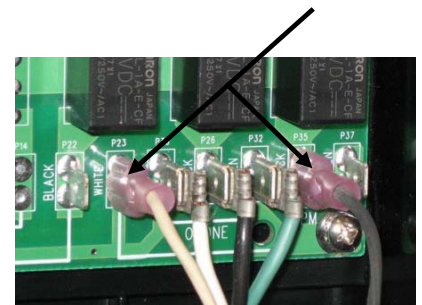
Plan out the location and direction of all light rods making sure the wire harnesses provided will attach to all of the light rods as well as to the power supply in the equipment compartment.

Note: The light will shine brightest from the clear section of the light rod.

Step A. Installing Power Supply to IQ2020® Control Box

1. Disconnect power to spa.
2. Open equipment compartment door.
3. Open IQ2020 control box cover.
4. Connect Clarion power supply to IQ2020 control box using P23 & P35 terminals as illustrated below.
5. Place power supply inside equipment compartment and fasten to floor using 2 screws (provided).

NOTE: The other end of the power supply has a male connector that will connect to either a wire harness (one of the 3 different lengths) or directly to a light bar if close enough to plug directly in (must be able to exit equipment compartment below door, see step C).



Wire Harness or light bar Female connector

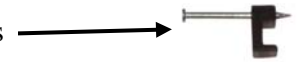
Power Supply Male connector

Step B. Installing Light Bar on Spa Baseboard or Steps

1. Secure light bar to the spa baseboard or steps by using 2 screws (provided) per light bar. Place the screws through the holes in the feet of the light bar and screw into black baseboard of spa or on the underside of the spa steps
2. Attach the other two Light bars to the spas baseboard and or steps.
3. Connect wire harness from Power supply to 1st light bar (unless power supply is attached directly into 1st light bar).



- NOTE:** Harness will only connect and snap together one way.
4. Connect wire harness from 1st light bar to 2nd light bar (use shortest wire harness possible).
 5. Connect wire harness from 2nd light bar to 3rd light bar (use shortest wire harness possible).
 6. Attach wire harness to baseboard or under steps using the wire holders with nails.
 7. Coil up excess wire and secure with cable ties and wire holders with nails.



NOTE: For spas with a Fresh Air Intake Screen, please refer to Step C or skip to Step D.

Step C. Equipment Compartments with Fresh Air Intake Screen

Caution: Edges of screen are sharp. Always wear protective gloves and safety glasses.

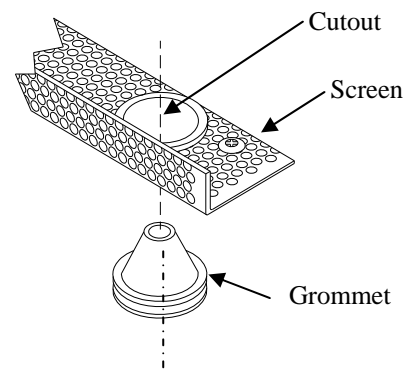
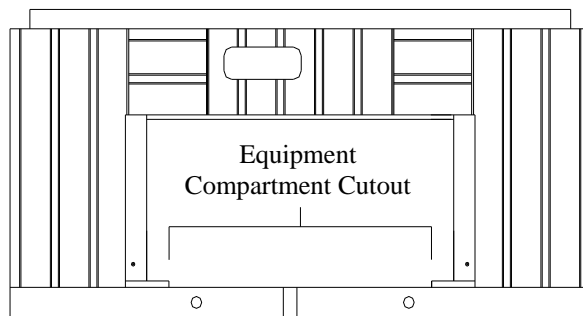
Note: Rubber grommet is required for routing wire through the intake screen only.

1. Locate one (1) of the two (2) pre-made cutouts in the intake screen (see illustration below) to feed wire through.

Note: If both cutouts are being used, support the underside of the screen, and trim another 1-1/8" hole using the tin snips or wire cutters.

2. Cut through one side of the rubber grommet and wrap the grommet around the wire harness.
3. Bend the screen back and run the wire harness through the routing hole. Bend the screen in the opposite direction until it is back to its original location.
4. Locate rubber grommet and seat it around the edge of the cutout.

Caution: Be careful not to damage the wire harness, and make sure wire is completely protected from the sharp edges of the screen by the grommet.



Step D. Complete Installation

1. Replace cover to IQ2020[®] control box.
2. Reconnect power to spa, lights will turn on when power is supplied to spa.
IMPORTANT: Lights do not work off of the Light control of the spa. The lights will turn on and remain on until the power to the spa is disconnected!
3. Replace equipment compartment door.